



bof[®]

Fabricks[®]



The award winning Fabricks[®] super acoustic bricks can be quickly configured and reconfigured to flexibly change open plan spaces. The 'house brick' style gives interlocking rigidity to the design, and the 3D Pyramid, Stripe and Chunk options provide a beautiful textured finish. The extruded aluminium posts also accommodate power and data cables and can be combined retrospectively to alter the height of the wall. With great acoustic credentials Fabricks[®] offer acoustic and visual privacy without building permanent floor to ceiling walls.

Why Fabricks[®]?

Reduced dilapidation costs

No trades

No mechanical or engineering reconfiguration

Tax efficient

Easy reconfiguration

Match fabrics to furniture

Features

Class A sound absorption

3 different lengths (300mm, 600mm or 1200mm)

2 different heights (200mm or 400mm)

90° corner bricks

Typical configurations available 1600mm, 1800mm or 2000mm high

Over 30 standard colours from Camira Blazer Lite

Extruded aluminium posts with ability to house power and data cables

Steel base with castor and adjustable leg option

Tested to ISO 10053 and BS EN ISO 354:2003



6 weeks



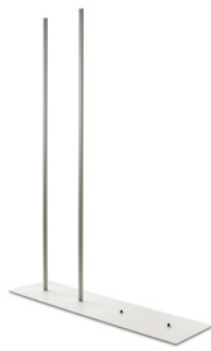
5 year warranty



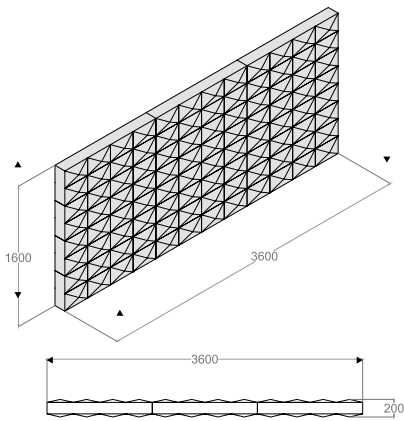
1.5 kg
3D-TB-600400
other weights on
application



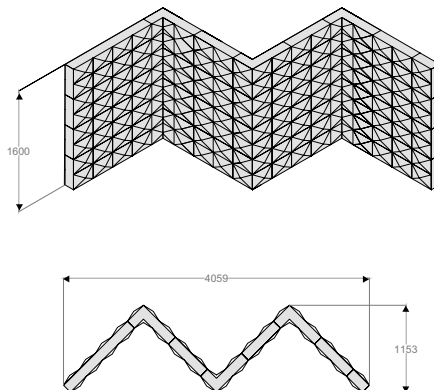
Min 95%
Excluding upholstery



Example Configurations



Example 2
3D Brick Wall



Example 3
Zig Zag configurations shown
with pyramid brick

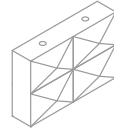


Example 3
Mobile 3D Brick Wall
H1550 x W1125 x D100mm

Please see next page for individual bricks.



(shown as 3D brick type)	Code	Description (Dimensions in mm)	3d Pyramid (3D)
	(3D)-B-300200	300 x 130 x 200 Brick	
	(3D)-TB-300200	300 x 130 x 200 Top Brick	
	(3D)-B-300400	300 x 130 x 400 Brick	
	(3D)-TB-300400	300 x 130 x 400 Top Brick	
	(3D)-B-600200	600 x 130 x 200 Brick	
	(3D)-TB-600200	600 x 130 x 200 Top Brick	
	(3D)-B-600400	600 x 130 x 400 Brick	
	(3D)-TB-600400	600 x 130 x 400 Top Brick	
	(3D)-B-1200200	1200 x 130 x 200 Brick	
	(3D)-TB-1200200	1200 x 130 x 200 Top Brick	



(shown as 3D brick type)	Code	Description (Dimensions in mm)	3d Pyramid (3D)
	(3D)-B-1200400	1200 x 130 x 400 Brick	
	(3D)-TB-1200400	1200 x 130 x 400 Top Brick	
	(3D)-CB-600300200	600 x 300 x 130 x 200 Corner Brick	
	(3D)-TCBLH-600300200	600 x 300 x 130 x 200 Top Corner Brick Left Handed	
	(3D)-CB-600300400	600 x 300 x 130 x 400 Corner Brick	
	(3D)-TCBRH-300600200	300 x 600 x 130 x 200 Top Corner Brick Right Handed	
	(3D)-TCBLH-600300400	600 x 300 x 130 x 400 Top Corner Brick Left Handed	
	(3D)-TCBRH-300600400	300 x 600 x 130 x 400 Top Corner Brick Right Handed	

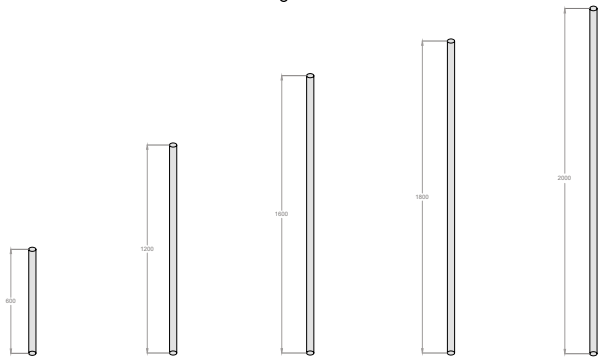
Please see following page for base plates, aluminium poles and other accessories.

Please note that other fabricks are available:

- Camira** Blazer
- Camira** Synergy
- Moon** Spectrum
- Moon** Melton Wool
- Moon** Herringbone
- Moon** Parquet

Please contact us for more details and prices.

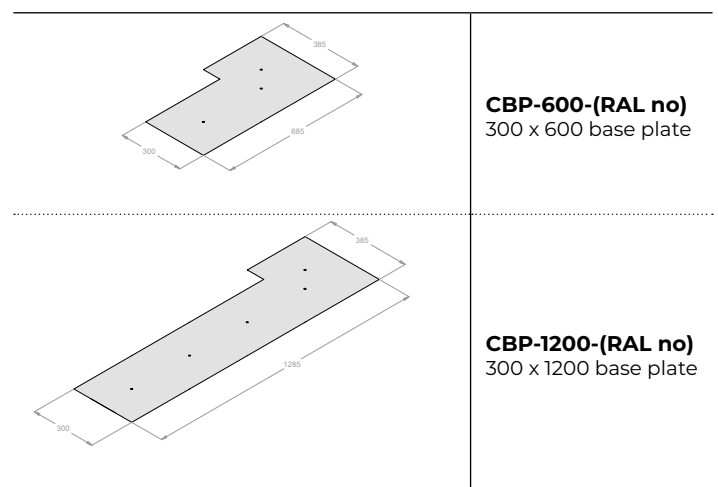
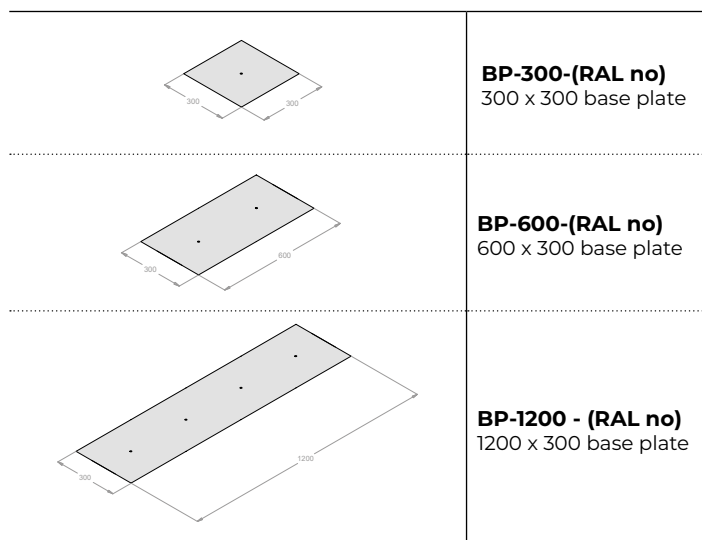
Fabricks® Posts



VP-570 570mm	VP-1170 1170mm	VP-1570 1570mm	VP-1770 1770mm	VP-1970 1970mm
------------------------	--------------------------	--------------------------	--------------------------	--------------------------

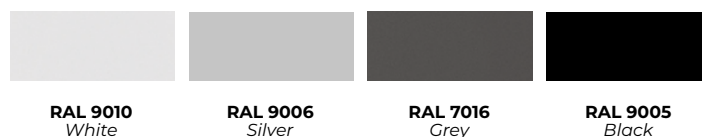
Code	Description
VP-570	570mm
VP-1170	1170mm
VP-1570	1570mm
VP-1770	1770mm
VP-1970	1970mm
CK-01	Ceiling Kit

Fabricks™ Base Plates



Code	Description
BP-300 - (RAL no)	300 x 300 base plate
BP-600 - (RAL no)	600 x 300 base plate
BP-1200 - (RAL no)	1200 x 300 base plate
CBP-600 - (RAL no)	600 x 300 corner base plate
CBP-1200 - (RAL no)	1200 x 300 corner base plate

*Base plates available in 3 sizes and 4 colours (White, Grey, Silver, Black) as standard made from 5mm steel with a stove powder coated finish.



Fabricks® Accessories

	Code	Dimensions (mm)	Dimensions (mm)
	BPC-1200-(RAL no)	1200 base plate with castors	

